



EV9618-02

# OCS<sup>2</sup> Filter Cartridge

Delivers premium quality water for office coffee applications



OCS<sup>2</sup> Replacement Cartridge:  
EV9618-02

## BENEFITS

New and improved Micro-Pure II media with AgION™ antimicrobial protection inhibits any potential bacterial growth

Provides clear, fresh, premium quality ingredient water for consistently great tasting coffee and beverages

Everpure's unique filter blend using activated carbon reduces chlorine taste and odor and other offensive contaminants

Saves energy by reducing scale build-up. Proportioned scale inhibitor feed dramatically prevents limescale from forming in brewing equipment

Precoat submicron technology reduces dirt and particles as small as 1/2 micron in size

Reduces health contaminants such as asbestos fibers and Cryptosporidium and Giardia cysts

Sanitary cartridge replacement is simple, quick and clean. Internal filter parts are never exposed to handling or contamination

## INSTALLATION TIPS

Never use saddle valve for connection

Use 3/8" water line

Install vertically with cartridge hanging down

Allow 2-1/2" clearance below the cartridge for easy cartridge replacement

Flush OCS cartridge by running water through filter for three minutes at full flow

## OPERATION TIPS

Change cartridges on a regular 6 month preventative maintenance program

Change cartridges when capacity is reached or when pressure falls below 10 psi

Service flow rate must not exceed 0.5 gpm

Always flush the filter cartridge at time of installation and cartridge change

## APPLICATION/SIZING

For coffee service applications

For low flow, low volume brewers

Rated Capacity: 1,500 gallons (5,678L) or 3,000 pots

# OCS<sup>2</sup> Filter Cartridge

## SPECIFICATIONS

**Overall Dimensions:**  
10.25"H x 3.25"Diameter

**Service Flow Rate:**  
Maximum 0.5 gpm (1.9 Lpm)

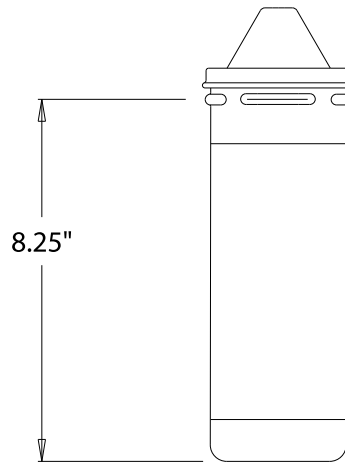
**Rated Capacity:** 1,500 gallons

**Pressure Requirements:**  
10 - 125 psi (0.7 - 8.6 bar), non-shock

**Maximum Temperature:**  
35 - 100°F (2 - 38°C)

No electrical connection required

The contaminants or other substances removed or reduced by this drinking water system are not necessarily in your water. Do not use with water that is microbiologically unsafe or of unknown quality without adequate disinfection before or after the system.



## WARRANTY

Everpure water treatment systems (excluding replaceable elements) are covered by a limited warranty against defects in material and workmanship for a period of five years after date of purchase. Everpure replaceable elements (filter cartridges and water treatment cartridges) are covered by a limited warranty against defects in material and workmanship for a period of one year after date of purchase. See printed warranty for details. Everpure will provide a copy of the warranty upon request.

### EVERPURE®

*Worldwide Headquarters:*  
EVERPURE, LLC  
1040 Muirfield Drive  
Hanover Park, Illinois 60133  
Toll Free (800) 323-7873  
Tel (630) 307-3000  
Fax (630) 307-3030  
<http://www.everpure.com>

*In Europe:*  
Pentair Water Belgium B.V./B.A.  
Industriepark Wolfstee  
Toekomstlaan 30  
B- 2200 Herentals  
BELGIUM  
TEL: +32.(0).14.283.500  
FAX: +32.(0).14.283.505

*In Japan:*  
Hashimoto MN Bldg. 7F  
3-25-1 Hashimoto Sagamihara-Shi  
Kanagawa 229-1103  
JAPAN  
TEL: 81.(0)42.775.3011  
FAX: 81.(0)42.775.3015